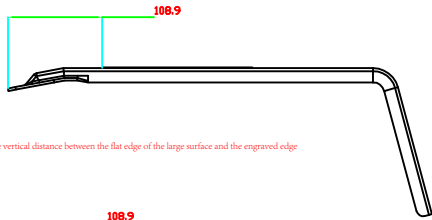
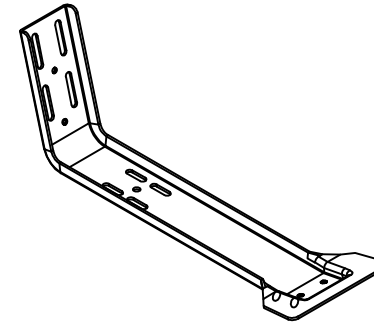
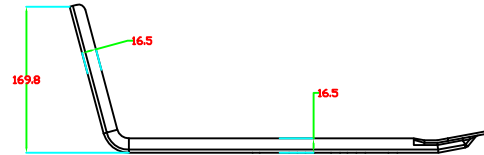
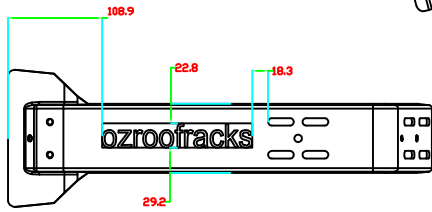


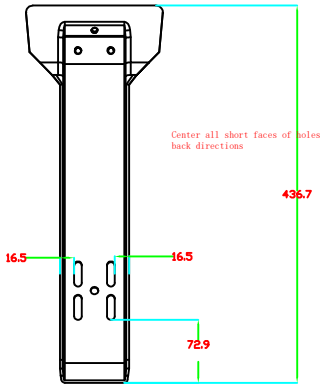
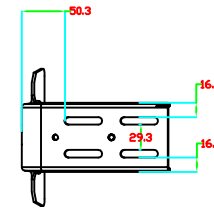
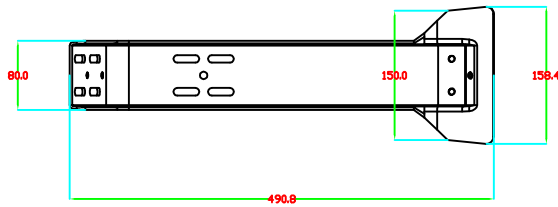
This distance is the vertical distance between the flat edge of the large surface and the engraved edge



This distance is the vertical distance between the flat edge of the large surface and the engraved edge



This distance is the distance from the bottom surface to the inner edge of the hole



Center all short faces of holes in the front and back directions

This distance is the distance from the bottom surface to the inner edge of the hole