

**ozroofracks****CAR SIDER LADDER****Installation Manual****1.Product name:Car Side Ladder****2.Suit model: Toyota Hiace****3.Product material number: YK-FTHS-PATI-1000****4.Packing list:****Installation time:30 Mins****Person required:2 persons**

NO.	QTY	NAME	REMARKS
1)	1	Side ladder section 1	
2)	1	Side ladder section 2	
3)	2	Connector	
4)	1	Section 2-Magnetic suction installation plate 01	
5)	1	Section 2-Magnetic suction installation plate 02	
6)	14	Lock nut	M8
7)	26	Washer	8
8)	2	T-bolt	M8*28
9)	12	Hexagon socket head cap screw	M8*40

Kindly do installation process as mentioned in this manual.

**⚠ WARNING**

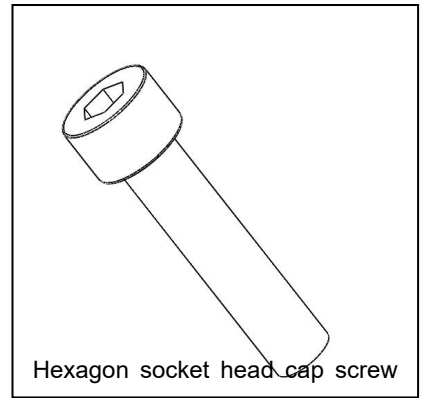
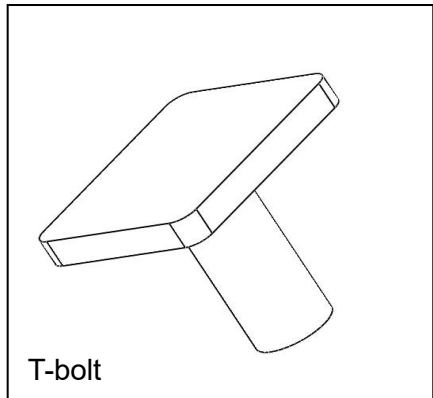
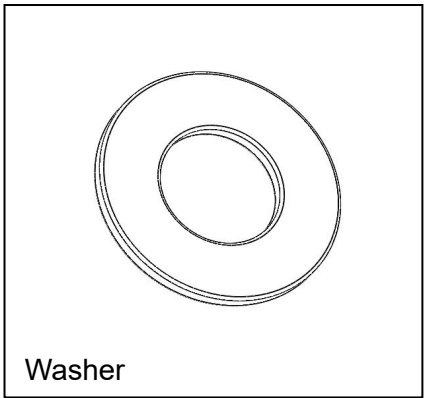
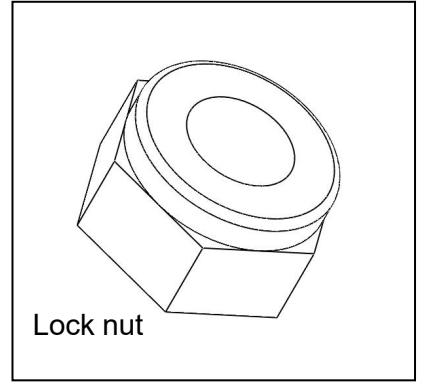
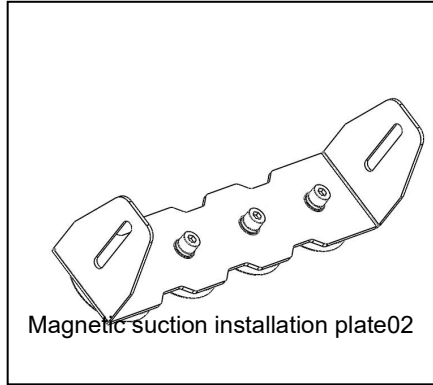
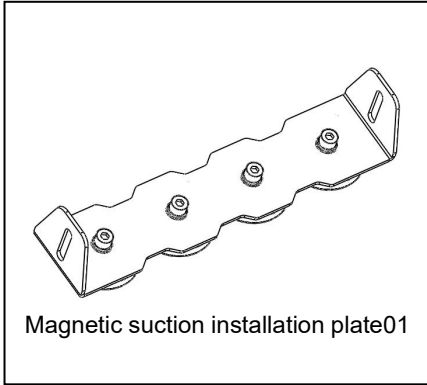
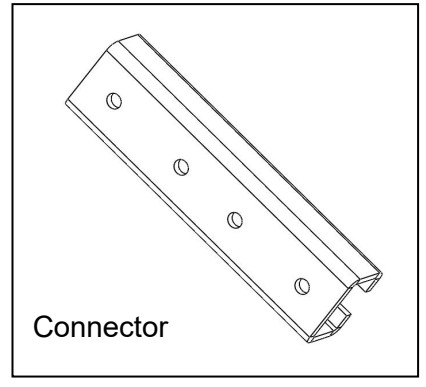
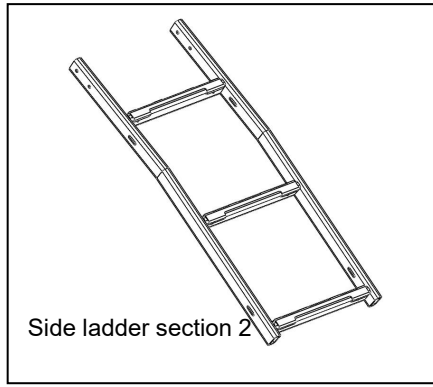
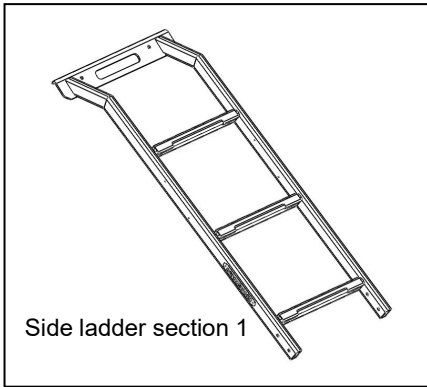
May lead to injury to installer, kindly take care.



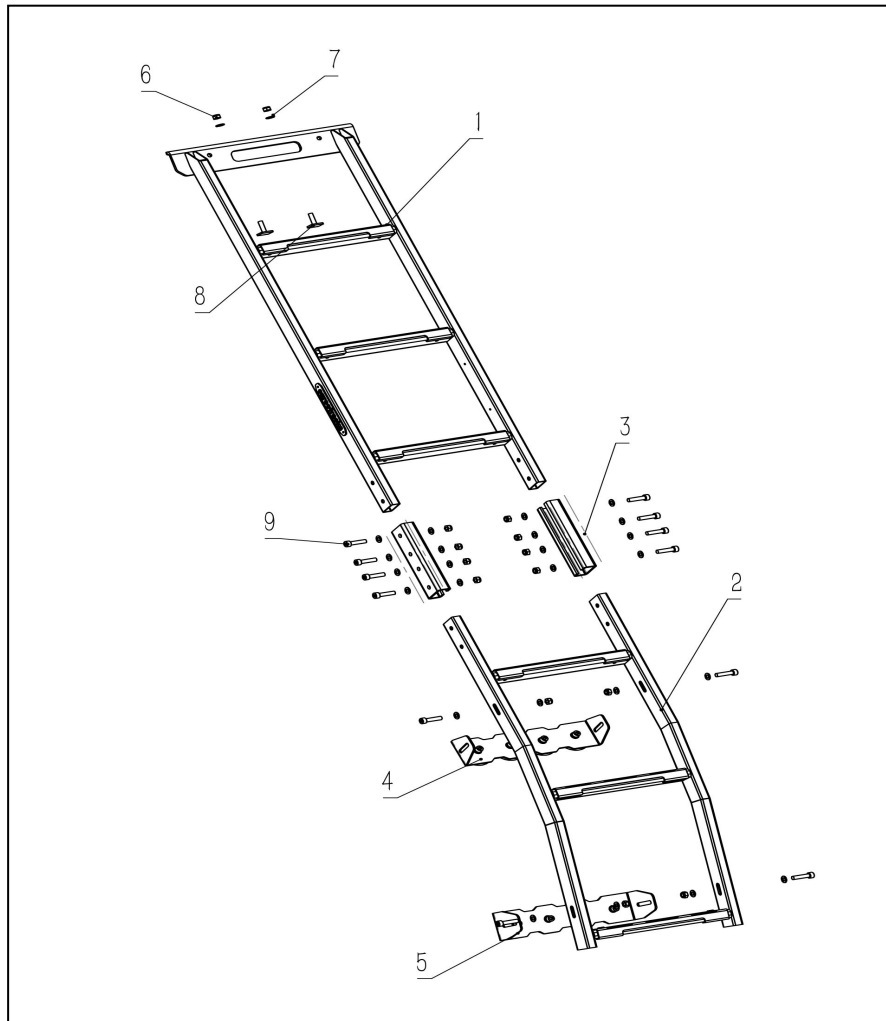
Watch out head and hand during installation.

**⚠ CAUTION**

**ITEM PICTURES**



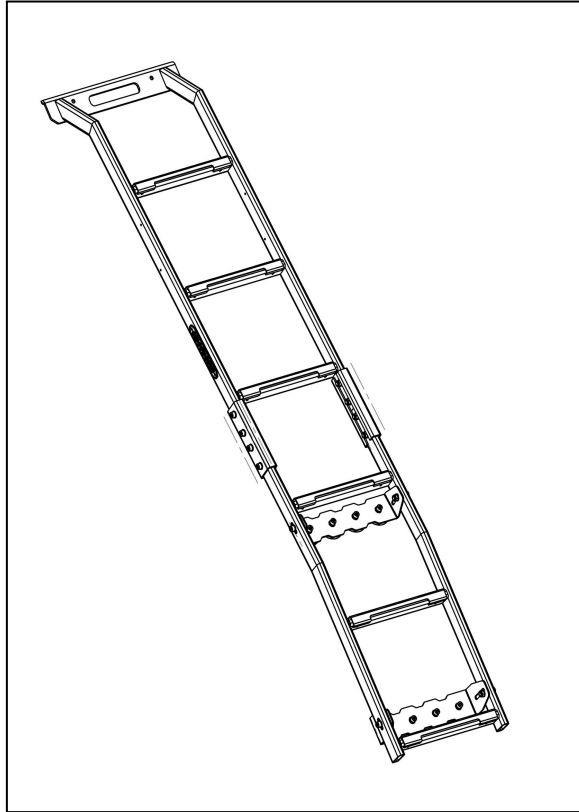
### Exploded Views



No.	Name	Specs	Qty
1	Side ladder section 1	stainless steel 34*97cm	1
2	Side ladder section 2	stainless steel 34*81cm	1
3	Connector	stainless steel	2
4	Section 2-Magnetic suction installation plate 01	stainless steel	1
5	Section 2-Magnetic suction installation plate 02	stainless steel	1
6	Lock nut	M8	14
7	Washer	8	26
8	T-bolt	M8*28	2
9	Hexagon socket head cap screw	M8*40	12

## Installation Instruction

1. Firstly, connect and assemble components 1, 2, 3, 4, 5, and 9. Do not assemble components 4 and 5 too tightly, keeping them in an adjustable state.



2. Then place the ladder on the roof rack, assemble and fix it with T-bolts, adjust the positions of components 4 and 5 to make them as close to the car body as possible, and then tighten the bolts to complete the installation.

