

OZ11



Product OZ11 Gutter Mount Bracket
Brand ozroofracks
Motor Vehicle Carrying Rack Accessories
Certification ISO 11154:2023
Custom Design 202318643
Tariff (HTS Code) 7326190000
Material Steel Powder Coated



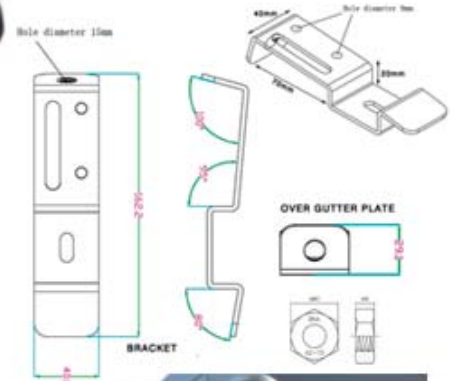
Scan the QR CODE to get the installation instructions.

Designed to attach lightweight accessories to the vehicle gutter. This product suits a variety of vans, buses, truck cabins, 4WD and KEI trucks.

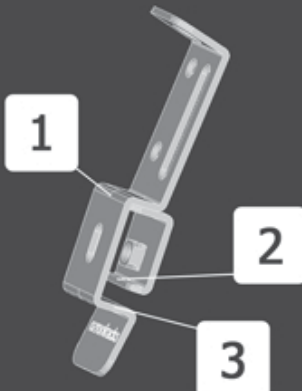
Static loading test results for the OZ11 assume a correct installation of this product.

Remember that dynamic load rating (when vehicle is moving) might reduce this results by 3.

Sample Item	Load Direction	Peak Load [N]	Peak Load [kg.f]
01	Downwards	5160	525.99
02	Transverse	2260	230.38
03	Longitudinal	1840	187.56



Accredited for compliance with ISO/IEC 17025 - Testing.
Accreditation Number 20414
Form ID: AMTS-06-06-01 (R1)



OZ11 Bracket relies on the 3 points of contact from the diagram to work safely as a clamp system with just a bolt and a nut.

1. Over bolt bracket clamp
2. Gutter clamp
3. Under gutter clamp

After installation make sure:

- 1 - There is no contact between bracket and vehicle wall that could damage the car in case of vibration.
- 2 - The bolt has been tighten firmly enough and the bracket is not wobbly. A well secured bracket should move the vehicle when shacked.
- 3 - Always place the safety thin lock nut for extra safety behind the little gutter plate that has the integrated nut.

Bare metal exposed to moisture attracts rust. We strongly recommend the use of liquid sealant or silicone spray on bolt threads before screwing.